



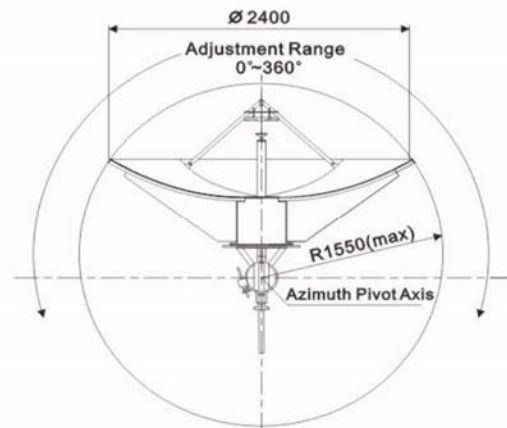
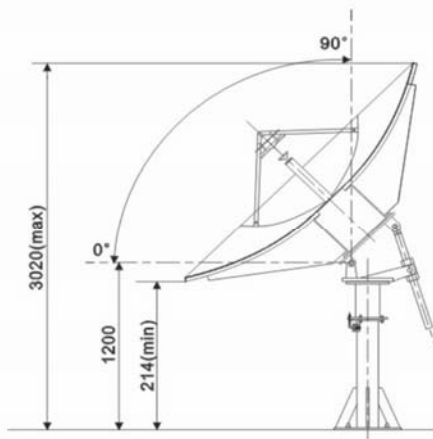
## 2.4Meter Earth Station Antenna

### Antenna Accessory

- Motorization Kits
- 50 Satellite Positions Preset
- Limit Switches
- Steptrack
- ODU Support Kits
- Factory Feed System Testing and Documentation
- Ocean Transport Packing
- Foundation Kit
- Lightning Rod Kit
- Grounding Kit
- Cable-Mounting Kit
- Major Subsystem Spare Part Kits
- Anti-icing and Deicing

### Features

- Meets or Exceeds CCIR 580 and INTELSAT Requirements
- Ring Focus
- High G/T, Excellent Pattern Characteristics
- Hot-dipped Galvanized Steel Ground Mount Assembly
- C-band Antenna Operating in 800MHz Bandwidth
- 2-port, 3-port or 4-port Linear/Circular Feed
- Field Changeable Feed System, Switchable Circular to Linear C-band



## ELECTRICAL SPECIFICATION

	C-Band		Ku-Band	
	Receive	Transmit	Receive	Transmit
Operating Frequency, GHz	3.4~4.2	5.85~6.725	10.95~12.75	13.75~14.5
Gain, Mid-band, dBi	38	41.5	47.8	49.1
Polarization	Linear/ Circular		Linear	
XPD (on Axis), dB	35	35	35	35
XPD (across 1dB Beamwidth), dB	33	33	33	33
Axial Ratio (Circular-Polarized)	1.30	1.09		
VSWR	1.25	1.25	1.25	1.25
Antenna Noise Temperature				
10° Elevation	32°K		48°K	
30° Elevation	24°K		38°K	
50° Elevation	20°K		34°K	
-3dB Beamwidth, Mid-band	2°	1.38°	0.67°	0.59°
Typical G/T ( EI>10°)	20dB/°K (30° LNA)		27.1dB/°K (70° LNA)	
Tx. Power Capability, KW		5		2
Feed Interface	CPR-229G	CPR-137G	WR-75	WR-75
Feed Insertion Loss	0.2	0.2	0.25	0.2
Isolation, Tx to Rx, dB	90		85	
First Sidelobe	-14		-14	
90% Peaks under Following Envelop	29-25logθ(1°≤θ<20°)		29-25logθ(1°≤θ<20°)	

## MECHANICAL SPECIFICATION

Antenna Diameter	2.4 m
Antenna Type	Ring Focus
Mount Type	EI. over Az.
Surface Accuracy (RMS)	≤ 0.4mm
Antenna Pointing Range	
Azimuth	0°~360° (Continuous)
Elevation	0°~90° (Continuous)
Polarization	360° (Continuous)
Drive Mode	Manual or Motorized

## ENVIRONMENTAL SPECIFICATION

Operational Wind	72km/h Gusting to 97km/h
Survival Wind	216km/h
Temperature	-40°C~+60°C
Relative Humidity	100%
Solar Radiation	1135Kcal/h/m <sup>2</sup>
Seismic (Survival)	0.3g (H), 0.15g (V)
Ice Loading	13mm Operational; 25mm Survival